



Accessory 3WA/3WL Charging Motor (M) 48-60 V DC

Model	
product brand name	SENTRON
product designation	Motorized operating mechanism
design of the product	MO spring charging motor
type of the driving mechanism	motorized operating mechanism
operating apparent power [VA]	135 VA
electrical endurance (operating cycles)	25 000
operating frequency maximum	60 1/h
time for clamping of the spring energy store with control supply voltage (Us)	10 s
control supply voltage at DC rated value maximum	60 V
design of the DIAZED fuse link gG for short-circuit protection minimum permissible	6 A
ambient temperature during operation	
• minimum	-40 °C
• maximum	70 °C
ambient temperature during storage	
• minimum	-40 °C
• maximum	80 °C
<b>General Product Approval</b>	<b>EMC</b>
<b>Declaration of Conformity</b>	<b>Test Certificates</b>

[Confirmation](#)



[Miscellaneous](#)

Test Certificates	Marine / Shipping	other	Dangerous Good
<a href="#">Special Test Certificate</a>	<a href="#">Type Test Certificates/Test Report</a>	 LRS	<a href="#">Confirmation</a>
			<a href="#">Dangerous Goods Information</a>
			<a href="#">Transport Information</a>

### Further information

Siemens has decided to exit the Russian market (see here).  
<https://press.siemens.com/global/en/pressrelease/siemens-wind-down-russian-business>

Siemens is working on the renewal of the current EAC certificates.

Please contact your local Siemens office on the status of validity of the EAC certification if you intend to import or offer to supply these products to an EAC relevant market (other than the sanctioned EAEU member states Russia or Belarus).

Information on the packaging

<https://support.industry.siemens.com/cs/ww/en/view/109813875>

Information- and Downloadcenter (Catalogs, Brochures,...)

<http://www.siemens.com/lowvoltage/catalogs>

Industry Mall (Online ordering system)

<https://mall.industry.siemens.com/mall/en/en/Catalog/product?mlfb=3WA9111-0AF04>

Service&Support (Manuals, Certificates, Characteristics, FAQs,...)

<https://support.industry.siemens.com/cs/ww/en/ps/3WA9111-0AF04>

Image database (product images, 2D dimension drawings, 3D models, device circuit diagrams, ...)

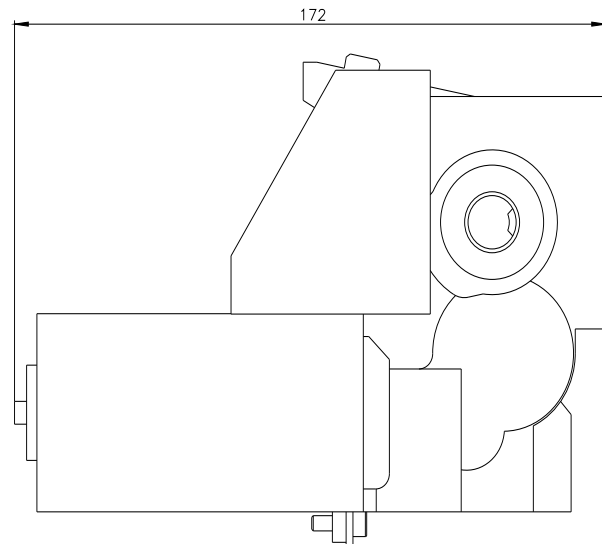
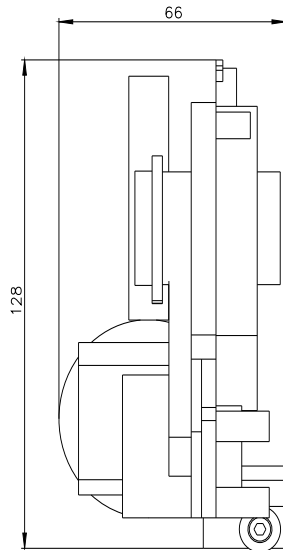
[http://www.automation.siemens.com/bilddb/cax\\_en.aspx?mlfb=3WA9111-0AF04](http://www.automation.siemens.com/bilddb/cax_en.aspx?mlfb=3WA9111-0AF04)

CAX-Online-Generator

<http://www.siemens.com/cax>

Tender specifications

<http://www.siemens.com/specifications>



---

last modified:

2/8/2023 

